

Modular Preparation 400 mm Ambient Unit with 1 Hinged Door

ITEM # _____

MODEL # _____

NAME # _____

SIS # _____

AIA # _____


121814 (TERP4)

 Ambient Unit with 1 hinged
 door, 400mm

Short Form Specification

Item No. _____

Constructed entirely in 304 AISI stainless steel. Front and rear longitudinal stainless steel c-channel reinforcement. Internal and external side panels with sound deadening reinforcements to strengthen structure. Door incorporates a sound deadening internal panel and is fitted with 304 AISI stainless steel hinges allowing an opening of 180° degrees. 150mm height-adjustable (0/+90mm) oversized feet (65x65mm) can be removed for masonry installation. 45° degree internal side corner junction system. 304 AISI middle shelf, with inner double fold to eliminate gaps between sides and back, height-adjustable in 3 positions with a stainless steel support to avoid twisting.

Main Features

- Masonry installation possible by simply removing feet.
- Extremely easy to clean thanks to the smooth edges.

Construction

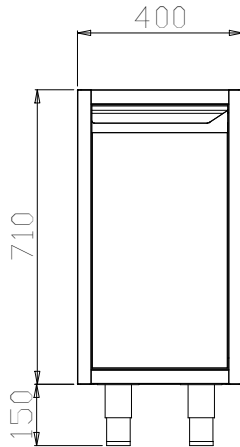
- Made in 304 AISI CrNi 18/10 stainless steel with Scotch Brite finish.
- Front and rear lengthwise stainless steel c-channel reinforcement, 15/10 (16 gauges).
- Internal sides supporting the structure to have 45° degrees internal side corners junction system.
- 30 mm high middle-shelf in AISI 304 stainless steel, height-adjustable in 3 positions, with inner double fold to eliminate gaps between sides and back.
- Sound deadening reinforcements between internal and external side panels to strengthen structure.
- Mounted on 150 mm height adjustable (0/+90 mm) oversized (65x65 mm) feet.
- Hinged door with sound deadening internal panels, fitted with 304 AISI stainless steel hinges on the inner sides, allows a 180° degree opening.

Optional Accessories

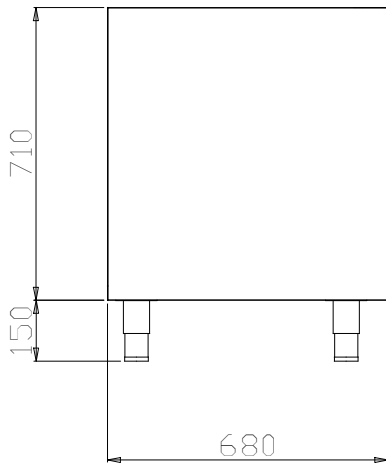
- Stainless steel plinth, 400mm PNC 855820
- Stainless steel plinth, 500mm PNC 855821
- Stainless steel plinth, 600mm PNC 855822
- Stainless steel plinth, 800mm PNC 855824
- Stainless steel plinth, 900mm PNC 855825
- Stainless steel plinth, 1000mm PNC 855826
- Stainless steel plinth, 1100mm PNC 855827
- Stainless steel plinth, 1200mm PNC 855828
- Stainless steel plinth, 1300mm PNC 855829
- Stainless steel plinth, 1400mm PNC 855830
- Stainless steel plinth, 1500mm PNC 855831
- Stainless steel plinth, 1600mm PNC 855832
- Stainless steel plinth, 1700mm PNC 855833
- Stainless steel plinth, 1800mm PNC 855834
- Stainless steel plinth, 1900mm PNC 855835
- Stainless steel plinth, 2000mm PNC 855836
- Stainless steel plinth for end elements, 700mm depth PNC 855837
- Stainless steel plinth for end elements, central installation, 700mm depth PNC 855838
- Stainless steel plinth, 2400mm PNC 855839

APPROVAL: _____

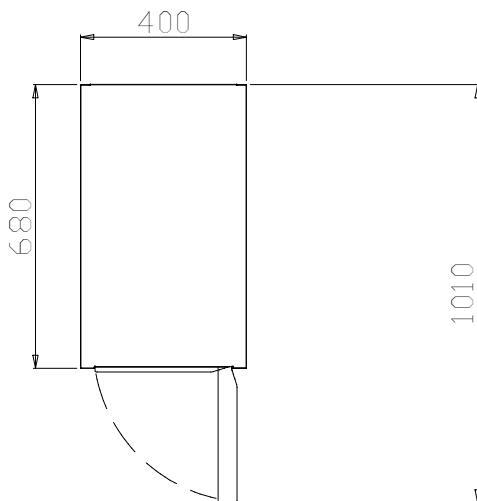
Front



Side



Top



Key Information:

| | |
|-------------------------------------|--------|
| Cabinet width: | |
| 121814 (TERP4) | 330 mm |
| Cabinet depth: | 645 mm |
| Cabinet height: | 620 mm |
| N° of doors: | 1 |
| Door Type: | Hinged |
| External dimensions, Width: | 400 mm |
| External dimensions, Depth: | 680 mm |
| External dimensions, Height: | 860 mm |
| Net weight: | 9 kg |